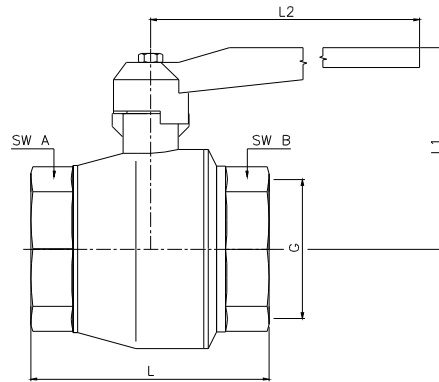
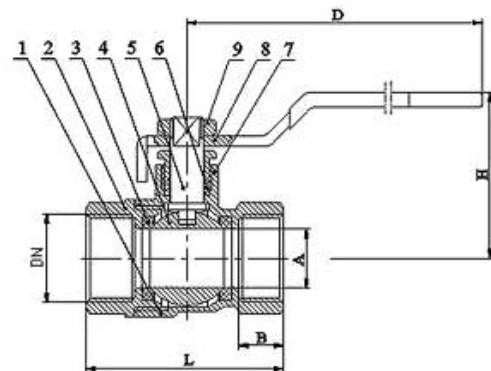


Kugelhahn aus Messing K45.01 / K46

brass ball valve K45.01 / K46



K45.01



K46

Material		material	
Gehäuse	Messing, vernickelt	body	brass, nickel plated
Kugel	Messing, hartverchromt	ball	brass, hard chromed
Schaltwelle	Messing, vernickelt	stem	Brass, nickel plated
Kugeldichtung	PTFE	ball seal	PTFE
Spindeldichtung	PTFE	stem seal	PTFE
Griff K45.01	Aluminium, rot lackiert	handle K45.01	Aluminium, red laquered
Griff K46	Stahl mit roter Tülle	handle K46	steel with red plastic cover

Konstruktionsmerkmale	construction details
Gewinde nach ISO 228/1	thread acc. to ISO 228/1
Stopfbuchspackung	gland packing
K45.01 Vollkugel mit zylindrischem Durchgang von 1/4" bis 1"	K45.01 full ball with cylindric port from 1/4" up to 1"
K46 voller Durchgang	K46 full bore

Bestellinformation / order information

DN	G ISO 228	PN bar	L mm	L1 / H mm	L2 / D mm	Bezeichnung type	Bestell-Nr. Order-no.
6	1/4"	20	42	40,0	90	K45.01-010-G1/4	11-045-008-001
10	3/8"	20	42	40,0	90	K45.01-010-G3/8	11-045-010-001
15	1/2"	20	49	45,0	90	K45.01-014-G1/2	11-045-014-001
20	3/4"	20	58	50,0	90	K45.01-019-G3/4	11-045-019-001
25	1"	20	68	58,0	115	K45.01-025-G1	11-045-025-001
32	1 1/4"	16	73	62,5	132	K46-032-G1 1/4	11-031-032
40	1 1/2"	16	81	67,0	132	K46-039-G1 1/2	11-031-040
50	2"	16	98	91,0	161	K46-049-G2	11-031-050
65	2 1/2"	16	136	113,5	225	K46-063-G2 1/2	11-031-065
80	3"	16	151	119,5	225	K46-076-G3	11-031-080
100	4"	16	180	139,5	225	K46-100-G4	11-031-100